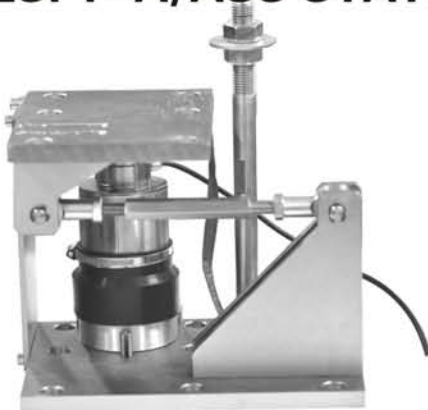


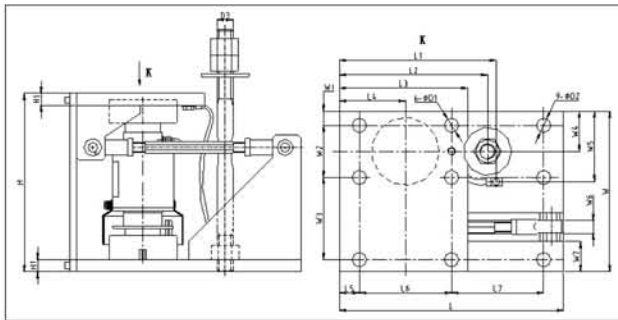
ZSF-A/ASS ZSFY-A/ASS STATIC WEIGHING MODULE



Description

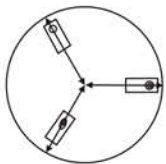
Capacity	10 ~ 50
Sensitivity	$2.0 \pm 0.002\text{mV/V}$
Accuracy	C3
Construction	Alloy Steel/Stainless Steel
Protection Class	IP68

Dimensions (Unit: mm)

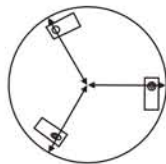


Capacity (t)	H	H1	L	L1	L2	L3	L4	L5	L6	L7	W	W1	W2	W3	D1	D2	D3
10 ~ 50	222.5	15	280	196	185	160	82.5	25	115	115	200	17.5	65	102.5	18	18	M20

Install Methods

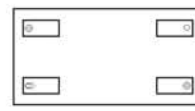


Radial installation



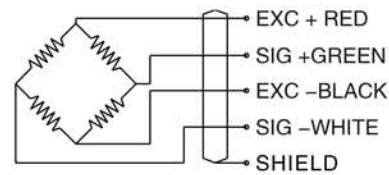
Tangential installation

- Fixed Module
- Float Module
- Semi-float Module



Rectangle installation

Wiring Diagram



Applications

1. Applies to warehouse scale, hopper scale etc

Features

1. Welded seal, high protection class, easy installation
2. High accuracy class and good stability

Technical Parameter

Sensitivity:	$2.0 \pm 0.002\text{mV/V}$	Output impedance:	$352 \pm 3 \Omega$
Accuracy class:	C3	Operating temperature range:	$-30^{\circ}\text{C} \sim +70^{\circ}\text{C}$
Repeatability:	0.01% F.S	Maximum safe overload:	120% F.S
Creep error (30 min):	0.02% F.S	Insulation impedance:	5000M Ω
TCO:	0.015% F.S/10 $^{\circ}\text{C}$	Excitation, recommend:	10V DC (15V Max.)
TC SPAN:	0.015% F.S/10 $^{\circ}\text{C}$	Construction	Alloy Steel/Stainless Steel
Input impedance:	$400 \pm 20 \Omega$	Protection class	IP68