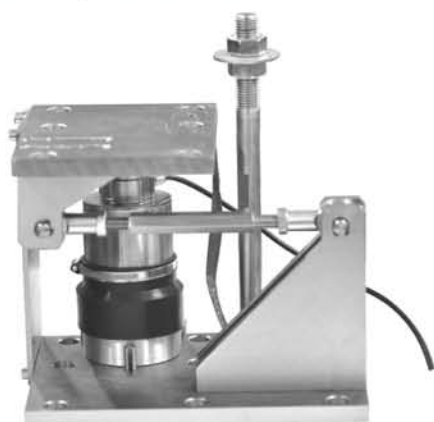


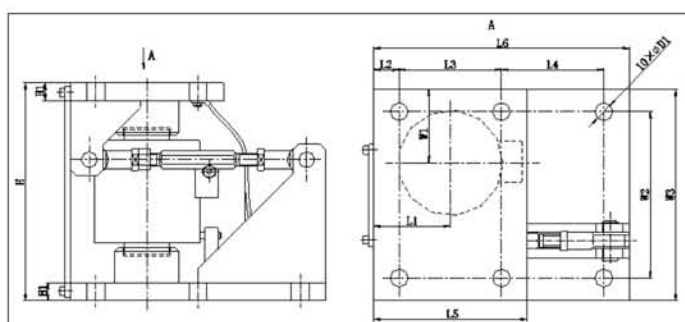
# ZSC-A/ASS STATIC WEIGHING MODULE



## Description

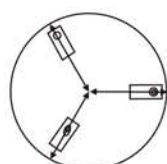
|                  |                            |
|------------------|----------------------------|
| Capacity         | 50,70,100,150,200,300,400t |
| Sensitivity      | 2.0 ± 0.002mV/V            |
| Accuracy         | C3                         |
| Construction     | Alloy Steel                |
| Protection Class | IP68                       |

## Dimensions (Unit: mm)

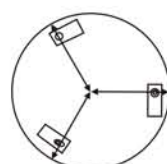


| Capacity (t) | H   | H1 | L1  | L2 | L3  | L4  | L5  | L6  | W1  | W2  | W3  | D1 |
|--------------|-----|----|-----|----|-----|-----|-----|-----|-----|-----|-----|----|
| 50,70        | 300 | 23 | 450 | 30 | 150 | 120 | 210 | 330 | 95  | 210 | 270 | 22 |
| 100,150      | 340 | 28 | 480 | 40 | 160 | 160 | 240 | 400 | 115 | 260 | 330 | 28 |
| 200,300,400t | 495 | 38 | 618 | 45 | 250 | 250 | 340 | 590 | 150 | 360 | 450 | 39 |

## Install Methods

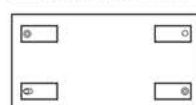


Radial installation



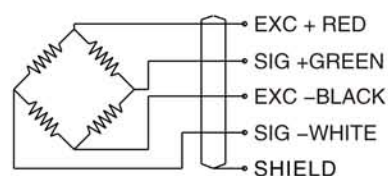
Tangential installation

- Fixed Module
- ⊖ Float Module
- ⊕ Semi-float Module



Rectangle installation

## Wiring Diagram



## Applications

1. Applies to warehouse scale, hopper scale etc

## Features

1. Welded seal, high protection class, easy installation
2. High accuracy class and good stability

## Technical Parameter

|                       |                   |                              |                             |
|-----------------------|-------------------|------------------------------|-----------------------------|
| Sensitivity:          | 2.0 ± 0.002mV/V   | Input impedance:             | 400 ± 20 Ω                  |
|                       | ± 0.03%(50t)      | Output impedance:            | 352 ± 3 Ω                   |
| Accuracy class:       | ± 0.05%(70t~100t) | Operating temperature range: | -30°C~+70°C                 |
|                       | ± 0.1%(150t~400t) | Maximum safe overload:       | 150% F.S                    |
| Repeatability:        | 0.02%F.S          | Insulation impedance:        | 5000M Ω                     |
| Creep error (30 min): | 0.02%F.S          | Excitation, recommend:       | 10V DC (15V Max.)           |
| TCO:                  | 0.02%F.S/10°C     | Construction:                | Alloy Steel/Stainless Steel |
| TC SPAN:              | 0.02%F.S/10°C     | Protection class:            | IP68                        |