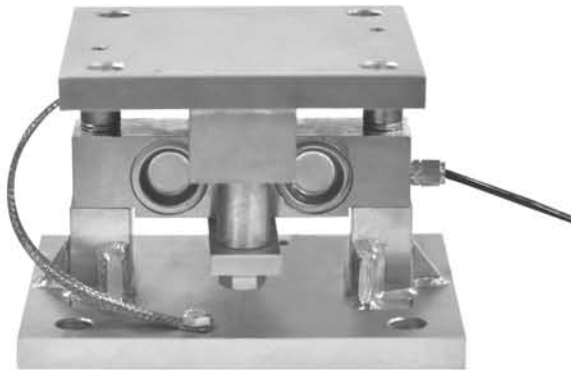


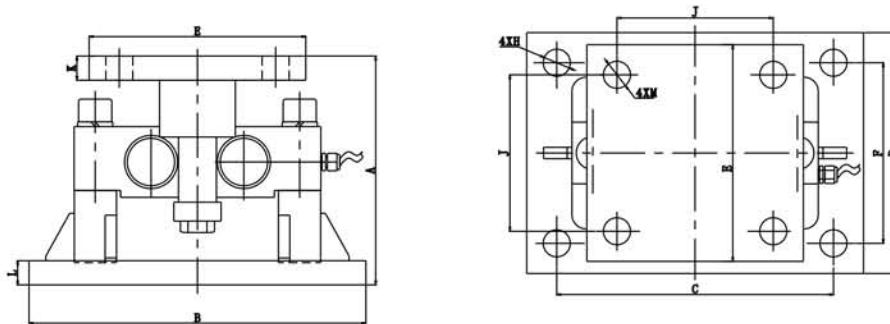
# QSB-A/ASS STATIC WEIGHING MODULE



## Description

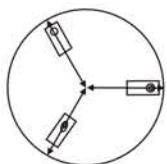
Capacity	10 ~ 25,40,50~75
Sensitivity	3.0 ± 0.003mV/V
Accuracy	0.05%F.S
Construction	Alloy Steel/Stainless Steel
Protection Class	IP68

## Dimensions (Unit: mm)

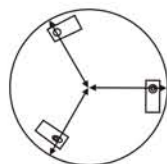


Capacity (t)	A	B	C	D	E	F	H	J	K	L	M
10 ~ 25	168	254	190.5	203	203	152	20	152	19	19	20
40	198	355.6	292.1	254	203	190.5	28.5	152	19	25.4	20
50~75	241.3	355.6	292.1	254	228.6	190.5	28.5	165	25.4	25.4	28.5

## Install Methods

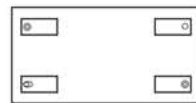


Radial installation



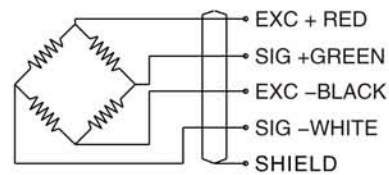
Tangential installation

- Fixed Module
- ⊖ Float Module
- ⊕ Semi-float Module



Rectangle installation

## Wiring Diagram



## Applications

1. Applies to heavy-capacity tank and ,hopper scale etc

## Technical Parameter

Sensitivity:	3.0 ± 0.003mV/V	Output impedance:	702 ± 3 Ω
Accuracy class:	0.05%F.S	Operating temperature range:	-30℃~+70℃
Repeatability:	0.02%F.S	Maximum safe overload:	120% F.S
Creep error (30 min):	0.02%F.S	Insulation impedance:	5000M Ω
TCO:	0.02%F.S/10℃	Excitation, recommend:	10V DC (15V Max.)
TC SPAN:	0.02%F.S/10℃	Construction	Alloy Steel/Stainless Steel
Input impedance:	750 ± 10 Ω	Protection class	Ip68

## Features

1. Self-checking, auto-reposition
2. Center-loaded, double-ended shear beam design.
3. Lower-profile design and easy to replace load cell.