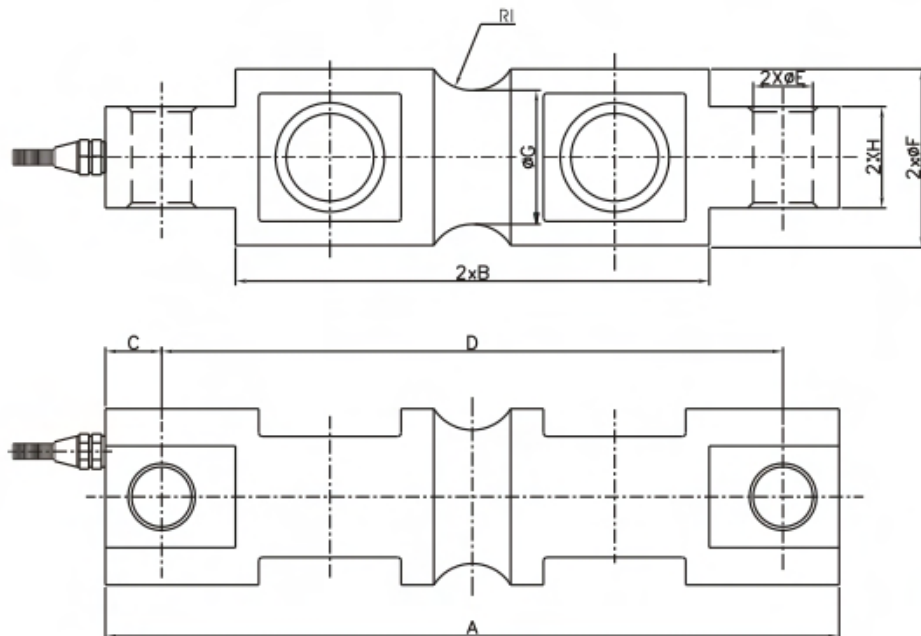


重量 (kg)	尺寸 (inch)	A	B	C	D	E	F	G	H	I
5, 10		8.12	5.24	0.62	6.88	0.66	1.70	1.48	1.12	0.50
20, 25		8.12	5.24	0.62	6.88	0.66	1.95	1.48	1.12	0.50
30, 50 60, 75		10.25	6.48	0.88	8.50	1.06	3.00	2.73	2.37	1.00
100		11.25	7.48	0.88	9.50	1.06	3.50	3.24	2.50	1.5



汽车衡、地上衡、仓储秤等  
Truck scale, floor scale, warehouse scale

## TECHNICAL PARAMETER

4Wires:Exc+(红,Red);Exc-(黑,Black);Sig+(绿,Green);Sig-(白,White)

额定载荷 Rated capacities(Emax)	5,10,20,25,30,50,60,75,100klb;	温度补偿范围 Temperature range, compensated	-10°C~+40°C
灵敏度 Sensitivity	3.0±0.003mV/V;	工作温度范围 Temperature range, operating	-30~+70°C
综合误差 Total error	±0.03%F.S; ±0.05%F.S	安全过载 Maximum safe overload	150%F.S
蠕变(30分钟)Creep error (30min)	±0.02%F.S	极限过载 Ultimate overload	250%F.S
零点平衡 Zero balance	±1%F.S	推荐激励电压 Excitation,recommend	10~12V DC
零点温度影响 TCO	±0.02%F.S/10°C	最大激励电压 Excitation,maximum	15V DC
输出温度影响 TC SPAN	±0.02%F.S/10°C	防封等级 Protection class	IP68
输入阻抗 Input impedance	750±10Ω	材质 Construction	合金钢Alloy Steel 不锈钢Stainless Steel
输出阻抗 Output impedance	702±3Ω;703±5Ω(L≥15m)	电缆 Cable	Length=L:8m(5,10klb),12m(20~75klb,20t),16m(100klb)
绝缘电阻 Insulation impedance	≥5000MΩ		Diameter: φ 5mm(5~10klb), φ 6mm(20~100klb)