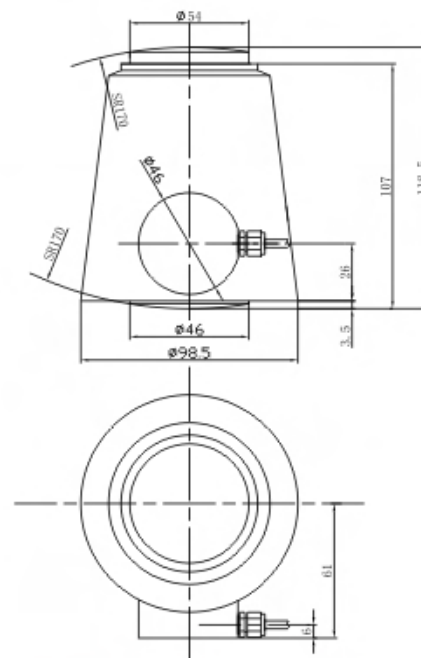




食品、医药、化工行业称重及控制等场合
Food, medicine, chemical industry weighing and control etc.



TECHNICAL PARAMETER

4Wires:Exc+(红,Red);Exc-(黑,Black);Sig+(绿,Green);Sig-(白,White)

额定载荷 Rated capacities(E _{max})	25,50t	温度补偿范围 Temperature range, compensated	-10~+40℃
灵敏度 Sensitivity	2.0±0.003mV/V	工作温度范围 Temperature range, operating	-30~+70℃
综合误差 Total error	±0.03%F.S	安全过载 Maximum safe overload	120%F.S
蠕变(30分钟)Creep error (30min)	±0.03%F.S	极限过载 Ultimate overload	200%F.S
零点平衡 Zero balance	±1%F.S	推荐激励电压 Excitation,recommend	10~12V DC
零点温度影响 TCO	±0.03%F.S/10℃	最大激励电压 Excitation,maximum	15V DC
输出温度影响 TC SPAN	±0.03%F.S/10℃	防护等级 Protection class	IP68
输入阻抗 Input impedance	1080±20Ω	材质 Construction	合金钢Alloy Steel
输出阻抗 Output impedance	1005±5Ω	电缆 Cable	
绝缘电阻 Insulation impedance	≥5000MΩ		

Length: 12m

Diameter: φ5 mm