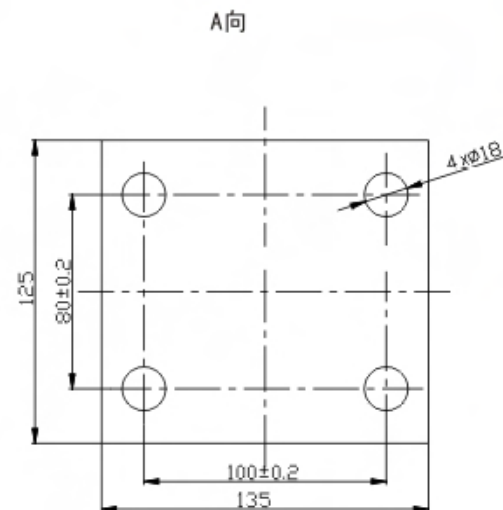
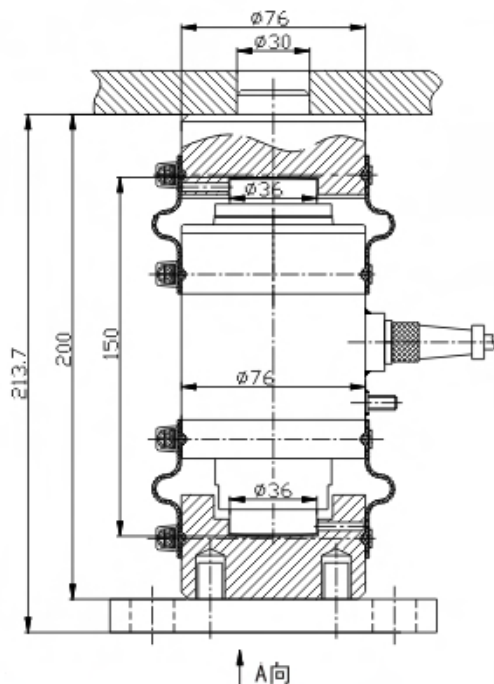


# ZSWKB-A Load cell

# ZSWKB-A



汽车衡、轨道衡、轴重秤  
Truck scale, railway scale, axle-load scale



## TECHNICAL PARAMETER

4Wires:Exc+(红,Red);Exc-(黑,Black);Sig+(绿,Green);Sig-(白,White)

额定载荷 Rated load	10,15,20,25,30,40 t	工作温度范围 Operating Temp Range	-30 ~ +70°C
灵敏度 Sensitivity	2.0 ± 0.002mV/V	安全过载 Safe load limit	150%F.S
综合误差 Total error	± 0.03%F.S	极限过载 Lateral load limit	300%F.S
蠕变 (30分钟) Creep(30min)	± 0.02%F.S	推荐激励电压 Recommend excitation	10 ~ 12V DC
零点平衡 Zero balance	± 1%F.S	最大激励电压 Maximum excitation	15V DC
零点温度影响 TCO	± 0.02%F.S/10°C	密封等级 Protection Class	IP68
输出温度影响 TC SPAN	± 0.02%F.S/10°C	材质 Construction	合金钢 Alloy Steel
输入阻抗 Input resistance	4 00 ± 20Ω	电缆 Cable	Length: 16m Diameter: φ6mm
输出阻抗 Output resistance	352 ± 3Ω		
绝缘电阻 Insulation resistance	≥ 5 000MΩ		