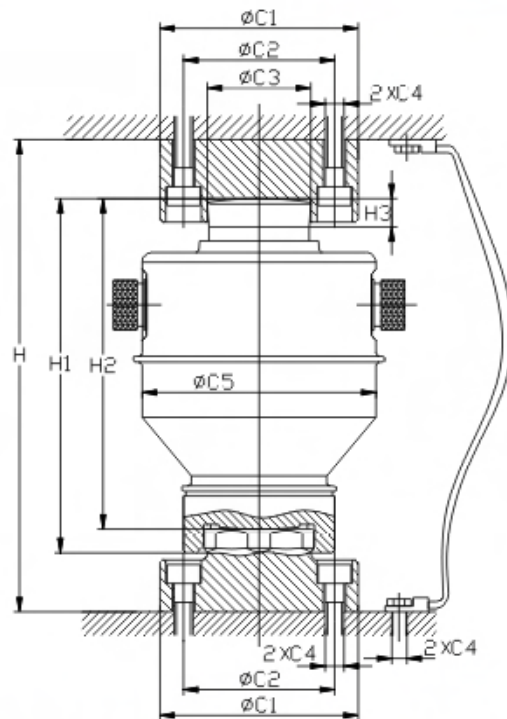




量程 CAPACITY (t)
10t、15、20、30、40、50、60t

H H1 H2 H3 C1 C2 C3 C4 C5
200 150 140 12 83.5 64 43.8 M8 99



汽车衡、轨道衡、轴重秤

Truck scale, railway scale, axle-load scale

TECHNICAL PARAMETER

4Wires:Exc+(蓝,Blue);Exc-(黑,Black);Sig+(白,White);Sig-(红,Red)

| | | | |
|-------------------------------|-------------------|--|--|
| 精度等级 Accuracy | C3 | 安全负载 Safe Overload | 150% F.S. |
| 重复性 Repeatability | 0.01%F.S | 推荐激励电压 Rated Excitation | 9~12V DC (20V Max.) |
| 蠕变 (30分钟) Creep error(30 min) | 0.02%F.S | 绝缘电阻 Insulation Resistance | 1000MΩ |
| 零点温度影响 TCO | 0.015%F.S/10℃ | 材质 Material | 合金钢、不锈钢 alloy steel or stainless steel |
| 灵敏度温度影响 TC SPAN | 0.015%F.S/10℃ | 通讯方式 Communication mode: | RS 485 |
| 数据刷新频率 Data update frequency | 10HZ | 最大信号传输距离 Max. transmission distance: | 1200m |
| 通讯波特率 Baud rate | 9600BPS(19200BPS) | 密封等级 Protection class: | IP68/IP69K |
| 工作温度 Operating Temperature | -30℃~+70℃ | 电缆长度Cable length: 传感器间连线 cable between load cells: | 7m |
| | | 连仪表总线 Bus cable to indicator: | 20m |