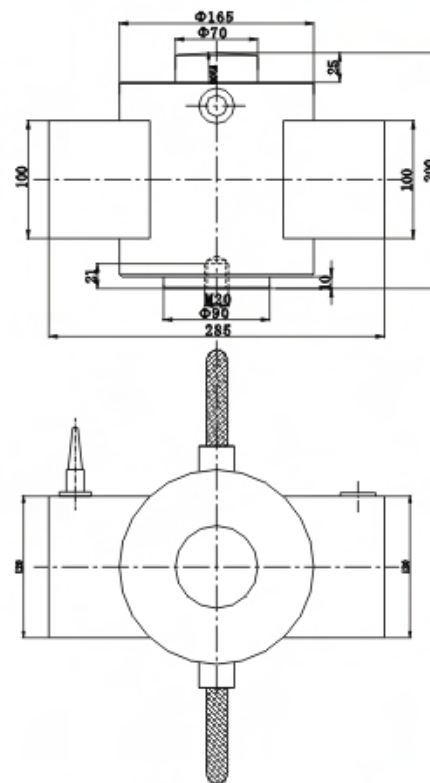




试验机及各种专用衡器

Testing machine and special weighing scale



TECHNICAL PARAMETER

4Wires:Exc+(红,Red);Exc-(黑,Black);Sig+(绿,Green);Sig-(白,White)

额定载荷 Rated load	20,30,50,100t	极限过载 Lateral load limit	300%F.S
灵敏度 Sensitivity	$2.7 \pm 0.005\text{mV/V}$	推荐激励电压 Recommend excitation	10 ~ 12V DC
综合误差 Total error	$\pm 0.05\%F.S$	最大激励电压 Maximum excitation	15V DC
蠕变 (30分钟) Creep(30min)	$\pm 0.05\%F.S$	频率 Frequency	228 ~ 232MHZ
零点平衡 Zero balance	$\pm 1\%F.S$	无线传输距离 Wireless Transmission Distance	2000m
零点温度影响 TCO	$\pm 0.03\%F.S/10^{\circ}\text{C}$	功率 Power	5000Milliwatt
输出温度影响 TC SPAN	$\pm 0.03\%F.S/10^{\circ}\text{C}$	收发方式: Transceiver MODE	双向: Two-way
输入阻抗 Input resistance	$400 \pm 20\Omega$	外部接线 External Wiring	
输出阻抗 Output resistance	$352 \pm 3\Omega$	无线通信口(配天线)Wireless Communication Interface (With Antenna)	
绝缘电阻 Insulation resistance	$\geq 2000\text{M}\Omega$	电源插口(充电器充电)Power Interface (Charging By Adaptor)	
工作温度范围 Operating Temp Range	$-10 \sim +40^{\circ}\text{C}$	内部接线 Inner Wiring	RS232
安全过载 Safe load limit	150%F.S	材质 Construction	合金钢 Alloy Steel