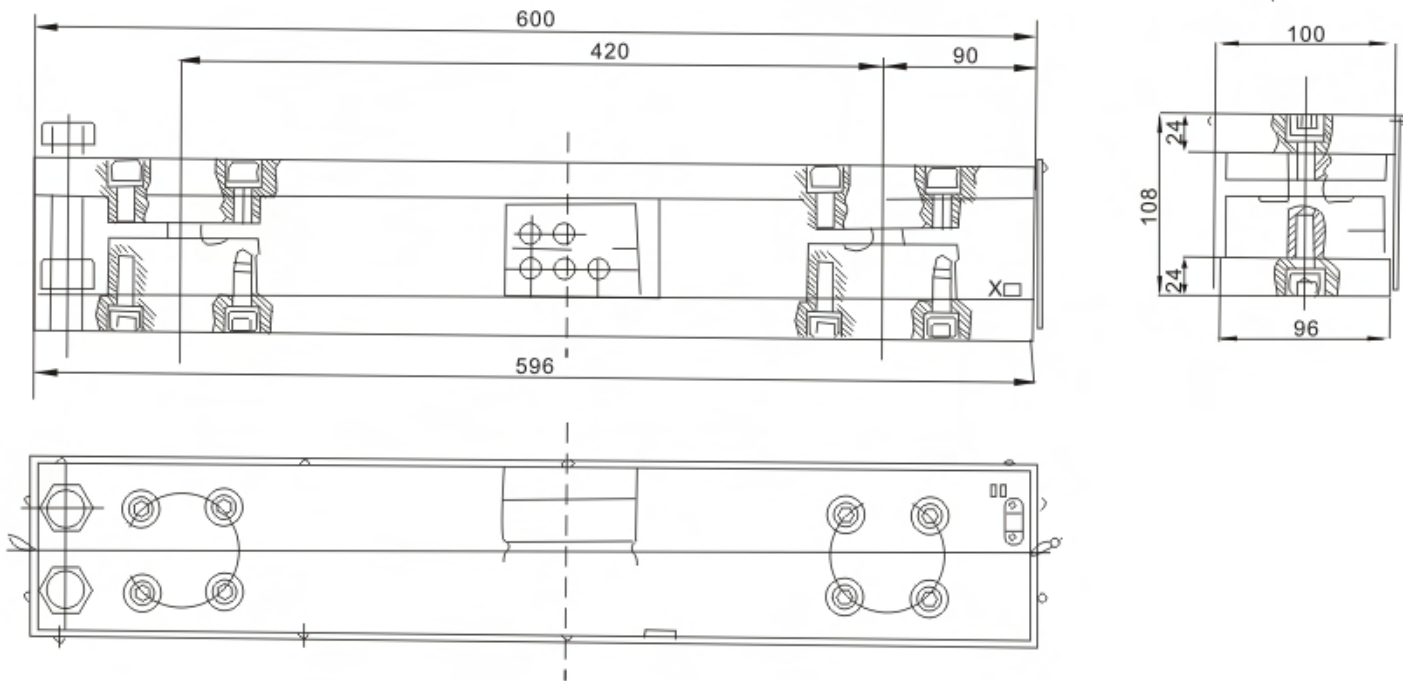


YBSK-10A模块 module



轴座计量
Axle measure

TECHNICAL PARAMETER

4Wires:Exc+(红,Red);Exc-(黑,Black);Sig+(绿,Green);Sig-(白,White)

额定载荷 Rated capacities(Emax)	5t	温度补偿范围 Temperature range, compensated	-10°C~+40°C
灵敏度 Sensitivity	2.0±0.01mV/V	工作温度范围 Temperature range, operating	-30~+70°C
综合误差 Total error	±0.1%F.S	安全过载 Maximum safe overload	120%F.S
蠕变(30分钟)Creep error (30min)	±0.05%F.S	极限过载 Ultimate overload	180%F.S
零点平衡 Zero balance	±2%F.S	推荐激励电压 Excitation,recommend	10~12V DC
零点温度影响 TCO	±0.03%F.S/10°C	最大激励电压 Excitation,maximum	15V DC
输出温度影响 TC SPAN	±0.03%F.S/10°C	防封等级 Protection class	IP67
输入阻抗 Input impedance	700±10Ω	材质 Construction	合金钢Alloy Steel
输出阻抗 Output impedance	702±3Ω	电缆 Cable	Length: 5m
绝缘电阻 Insulation impedance	≥5000MΩ		Diameter: φ 6mm