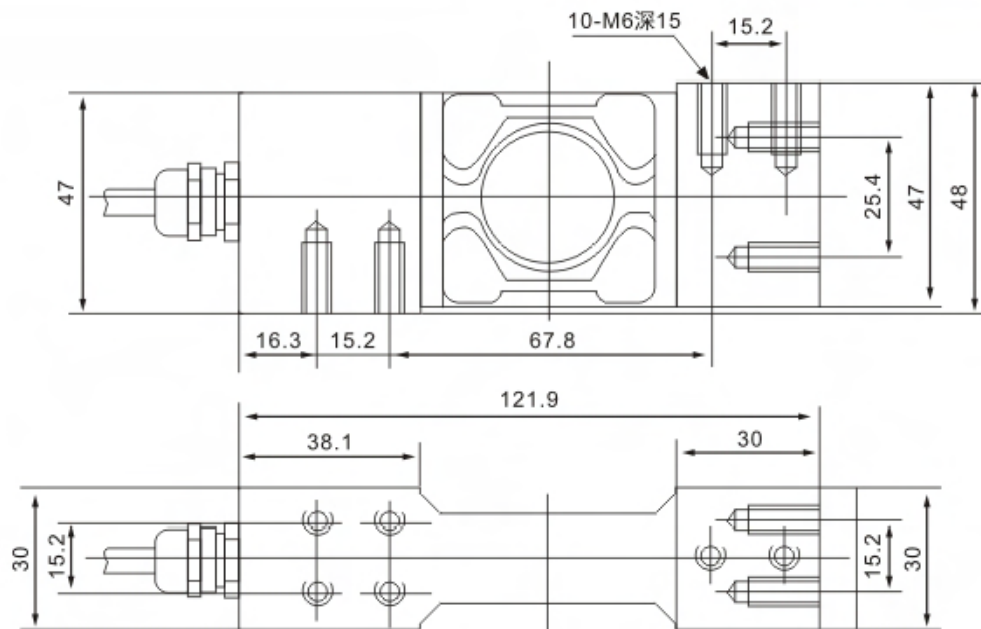


台秤
platform scale



TECHNICAL PARAMETER

4Wires: Sig+(绿, Green); Exc-(黑, Black); Sig-(白, White); Exc+(红, Red)

额定载荷 Rated capacities(E _{max})	20,50kg	温度补偿范围 Temperature range, compensated	-10℃~+40℃
灵敏度 Sensitivity	1.8 ± 0.2mV/V	工作温度范围 Temperature range, operating	-30~+70℃
综合误差 Total error	± 0.05%F.S	安全过载 Maximum safe overload	120%F.S
蠕变(30分钟) Creep error (30min)	± 0.03%F.S	极限过载 Ultimate overload	150%F.S
零点平衡 Zero balance	± 1%F.S	推荐激励电压 Excitation, recommend	10~12V DC
零点温度影响 TCO	± 0.02%F.S/10℃	最大激励电压 Excitation, maximum	15V DC
输出温度影响 TC SPAN	± 0.02%F.S/10℃	防封等级 Protection class	IP65
输入阻抗 Input impedance	1106 ± 20Ω	材质 Construction	合金钢 Alloy Steel 不锈钢 Stainless steel
输出阻抗 Output impedance	1005 ± 5Ω	电缆 Cable	Length: 3m
绝缘电阻 Insulation impedance	≥ 5000MΩ		Diameter: φ 5.4mm