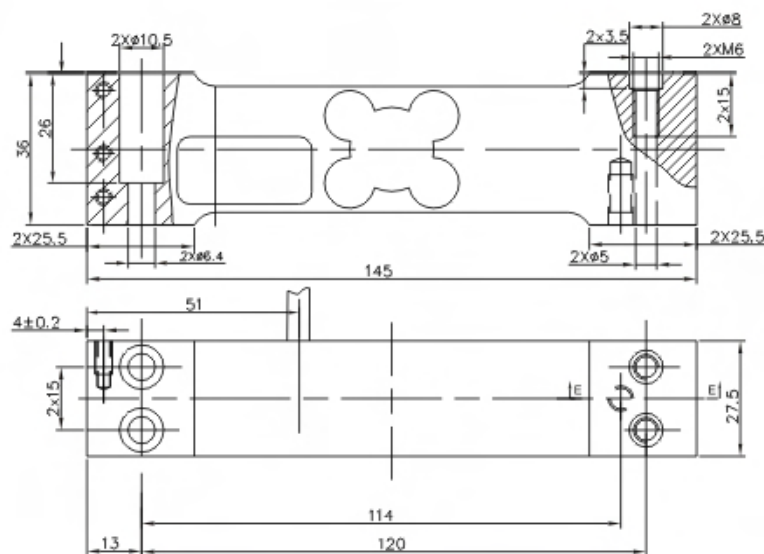


各种台秤
All kinds of platform scales,



TECHNICAL PARAMETER

4Wires:Exc+(红,Red);Exc-(黑,Black);Sig+(绿,Green);Sig-(白,White)

额定载荷 Rated load	12, 18, 36, 60kg	绝缘电阻 Insulation resistance	≥2000MΩ (50V DC)
灵敏度 Sensitivity	2.0±0.2mV/V	工作温度范围 Operating Temp Range	-20~+50℃
精度等级 Accuracy class	OIML C3	安全过载 Safe load limit	150%F.S
蠕变 (30分钟) Creep(30min)	±166ppm	极限过载 Lateral load limit	300%F.S
零点平衡 Zero balance	±3%Emax	推荐激励电压 Recommend excitation	10V DC
零点温度影响 TCO	±17.5ppm/℃	最大激励电压 Maximum excitation	15V DC
输出温度影响 TC SPAN	+20℃~+40℃, ±17.5ppm/℃	密封等级 Protection Class	IP65
	-10℃~+20℃, ±11.67ppm/℃	材质 Construction	铝合金 Aluminium
输入阻抗 Input resistance	404±15Ω	电缆 Cable	Length:0.5m
输出阻抗 Output resistance	350±3Ω		Diameter: φ4mm
推荐安装平台 Max.platform size	300×400mm	推荐安装力矩 Installation torque, commended	10N·m