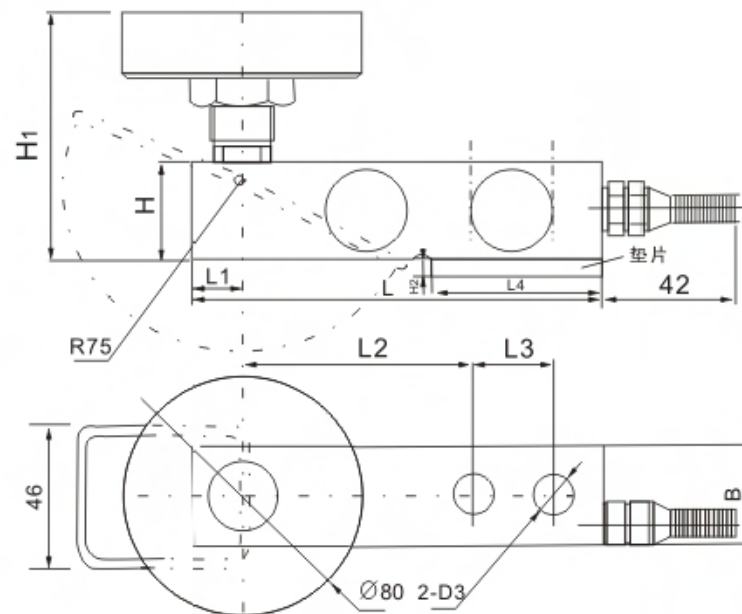


额定载荷(t) Rated Load	L	L1	L2	L3	L4	H/B	D3	H1	H2
1,1.5,2,2.5	130	14.7	74.2	25.4	53.5	31.8	φ 13	51	4
3,5	171.5	19	95.3	38.1	72.5	38.1	φ 20	57.3	6



配料秤、低平面台秤
blending scale, low platform scale

TECHNICAL PARAMETER

4Wires:Exc+(红,Red);Exc-(黑,Black);Sig+(绿,Green);Sig-(白,White)

额定载荷 Rated capacities(E _{max})	1,1.5,2,2.5,3,5t	温度补偿范围 Temperature range, compensated	-10°C~+40°C
灵敏度 Sensitivity	3.0±0.003mV/V	工作温度范围 Temperature range, operating	-30~+70°C
综合误差 Total error	±0.05%F.S	安全过载 Maximum safe overload	150%F.S
蠕变(30分钟)Creep error (30min)	±0.02%F.S, ±0.03%F.S	极限过载 Ultimate overload	200%F.S
零点平衡 Zero balance	±1%F.S	推荐激励电压 Excitation, recommend	10~12V DC
零点温度影响 TCO	±0.02%F.S/10°C	最大激励电压 Excitation, maximum	15V DC
输出温度影响 TC SPAN	±0.02%F.S/10°C	防封等级 Protection class	IP67
输入阻抗 Input impedance	400±20Ω	材质 Construction	合金钢 Alloy Steel
输出阻抗 Output impedance	352±3Ω	电缆 Cable	Length:5m
绝缘电阻 Insulation impedance	≥5000MΩ		Diameter: φ 5mm(1~2.5t); φ 6mm(3~5t);