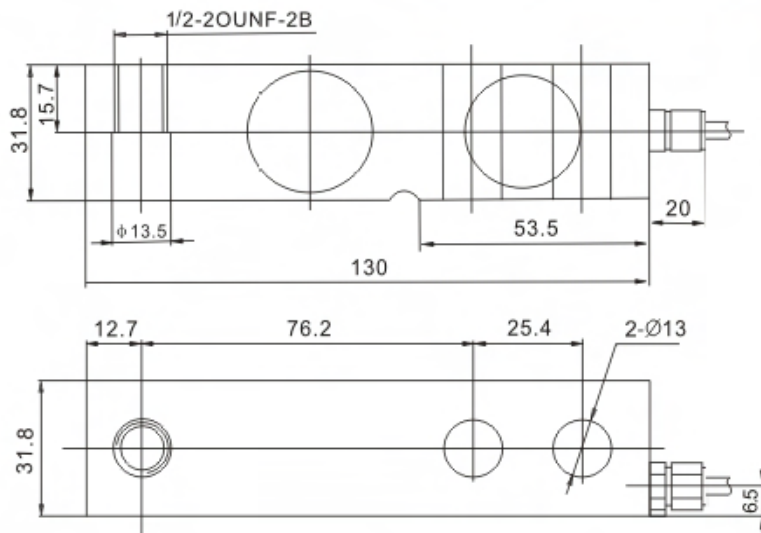




配料秤、平面台秤
blending scale, platform scale



TECHNICAL PARAMETER

4Wires:Exc+(红,Red);Exc-(黑,Black);Sig+(绿,Green);Sig-(白,White)

额定载荷 Rated capacities(E _{max})	1,2,2.5,4klb	温度补偿范围 Temperature range, compensated	-10°C~+40°C
灵敏度 Sensitivity	3.0±0.003mV/V	工作温度范围 Temperature range, operating	-30~+70°C
精度等级 Accuracy class	III L 5000	安全过载 Maximum safe overload	150%F.S
零点平衡 Zero balance	±1%F.S	极限过载 Ultimate overload	200%F.S
零点温度影响 TCO	±0.02%F.S/10°C	推荐激励电压 Excitation,recommend	10~12V DC
输出温度影响 TC SPAN	±0.02%F.S/10°C	最大激励电压 Excitation,maximum	15V DC
输入阻抗 Input impedance	400±20Ω	防封等级 Protection class	IP66(1klb);IP67(2~4klb)
输出阻抗 Output impedance	352±3Ω	材质 Construction	合金钢Alloy Steel, 不锈钢Stainless Steel
绝缘电阻 Insulation impedance	≥5000MΩ	电缆 Cable	Length: 3m/1.5m Diameter: φ 6mm