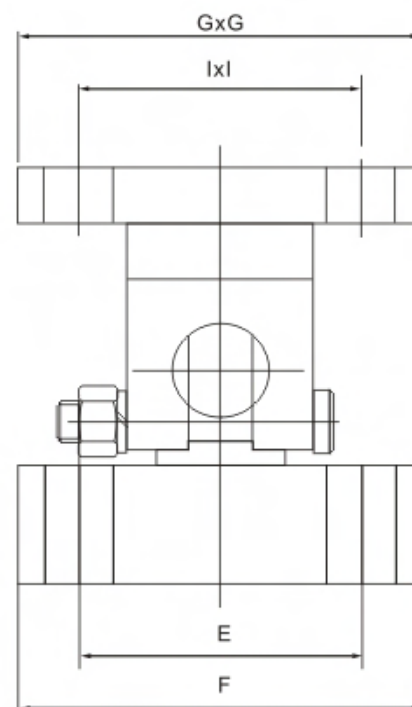
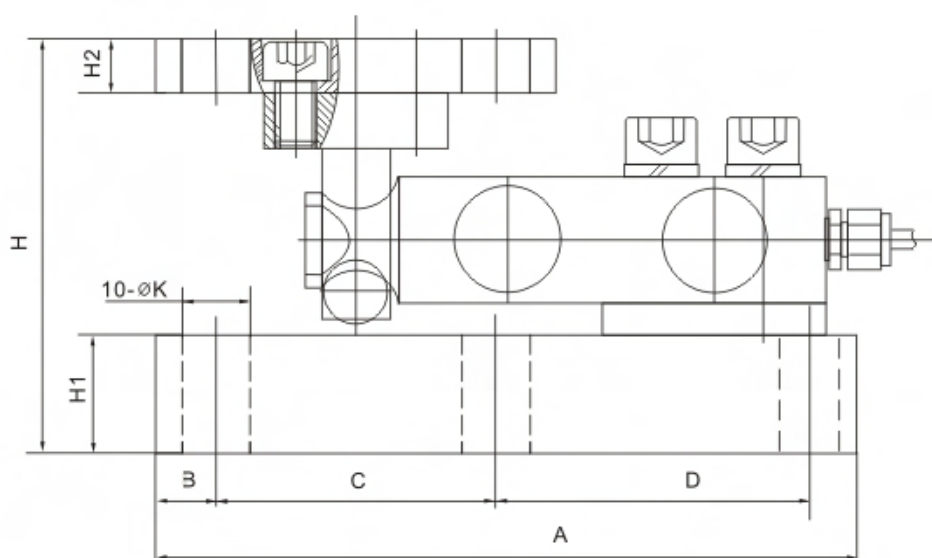


额定载荷(t) Rated Load	L	L1	L2	L3	A	B	C	D	E	F
1~2.5	130	15.8	25.4	76.2	32	φ23.4	φ15.2	32	15.8	φ13.5
3~5	171.5	19	38.5	93.5	38	φ30.5	φ21.8	38	22.9	φ20

### 模块附件 (Diagram)



额定载荷(t) Rated Load	A	B	C	D	E/I	F/G	H1	H2	H	K
1~2.5	175	15	70	75	70	100	30	14	105	17
3~5	236	20	90	106	90	130	35	20	132	21

料罐秤、配料秤

Hopper scale, blending scale

## TECHNICAL PARAMETER

4Wires:Exc+(红,Red);Exc-(黑,Black);Sig+(绿,Green);Sig-(白,White)

额定载荷 Rated capacities(Emax)	1,2,2.5,3,5t	温度补偿范围 Temperature range, compensated	-10°C~+40°C
灵敏度 Sensitivity	3.0±0.003mV/V	工作温度范围 Temperature range, operating	-30~+70°C
综合误差 Total error	±0.05%F.S	安全过载 Maximum safe overload	120%F.S
蠕变(30分钟)Creep error (30min)	±0.03%F.S	极限过载 Ultimate overload	150%F.S
零点平衡 Zero balance	±1%F.S	推荐激励电压 Excitation,recommend	10~12V DC
零点温度影响 TCO	±0.02%F.S/10°C	最大激励电压 Excitation,maximum	15V DC
输出温度影响 TC SPAN	±0.02%F.S/10°C	防封等级 Protection class	IP67
输入阻抗 Input impedance	400±20Ω	材质 Construction	合金钢Alloy Steel
输出阻抗 Output impedance	352±3Ω	电缆 Cable	Length:5m
绝缘电阻 Insulation impedance	≥5000MΩ		Diameter: φ5mm