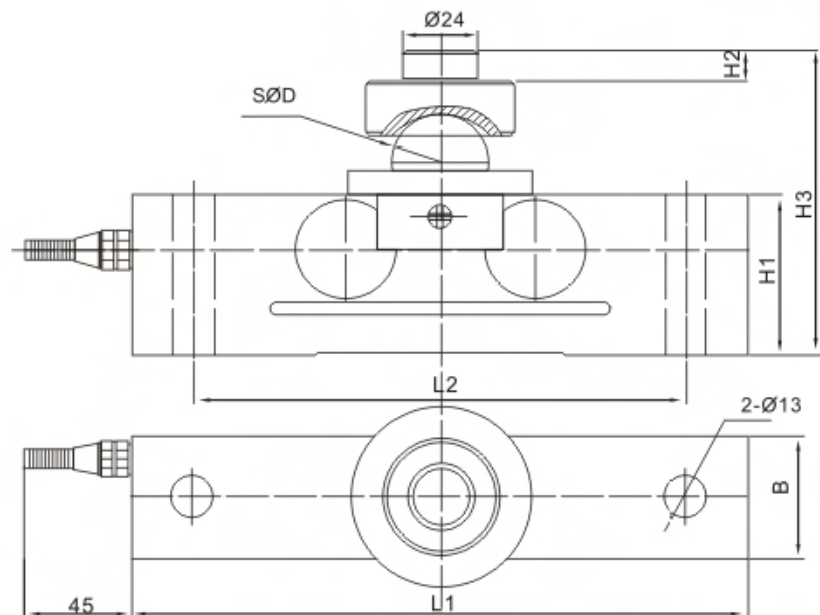


额定载荷(t) Rated Load	L1	L2	B	H1	H2	H3	D
0.5	180	150	37	43	10	85.4	φ 25.4
2,3	200	160	40	52	10	99.75	φ 31.75

专用衡器
special scale



TECHNICAL PARAMETER

4Wires:Exc+(红,Red);Exc-(黑,Black);Sig+(绿,Green);Sig-(白,White)

额定载荷 Rated capacities(E _{max})	0.5,2,3t	温度补偿范围 Temperature range, compensated	-10°C~+40°C
灵敏度 Sensitivity	2.0±0.002mV/V	工作温度范围 Temperature range, operating	-30~+70°C
综合误差 Total error	±0.05%F.S	安全过载 Maximum safe overload	150%F.S
蠕变(30分钟)Creep error (30min)	±0.03%F.S	极限过载 Ultimate overload	300%F.S
零点平衡 Zero balance	±1%F.S	推荐激励电压 Excitation,recommend	10~12V DC
零点温度影响 TCO	±0.02%F.S/10°C	最大激励电压 Excitation,maximum	15V DC
输出温度影响 TC SPAN	±0.02%F.S/10°C	防封等级 Protection class	IP67(0.5t),IP68(2,3t)
输入阻抗 Input impedance	750±10Ω	材质 Construction	合金钢Alloy Steel 不锈钢Stainless Steel
输出阻抗 Output impedance	702±3Ω	电缆 Cable	Length:4m
绝缘电阻 Insulation impedance	≥5000MΩ		Diameter: φ 5mm