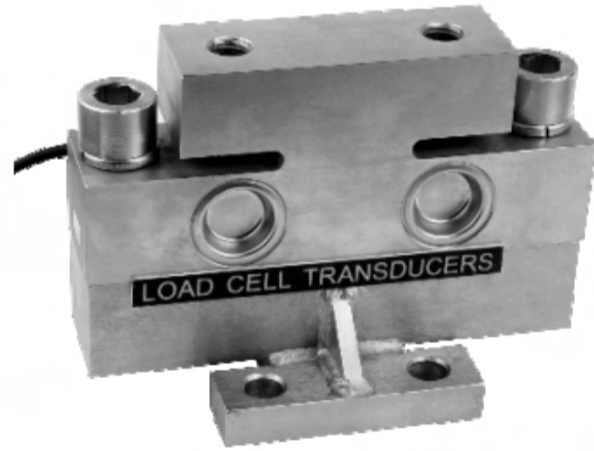
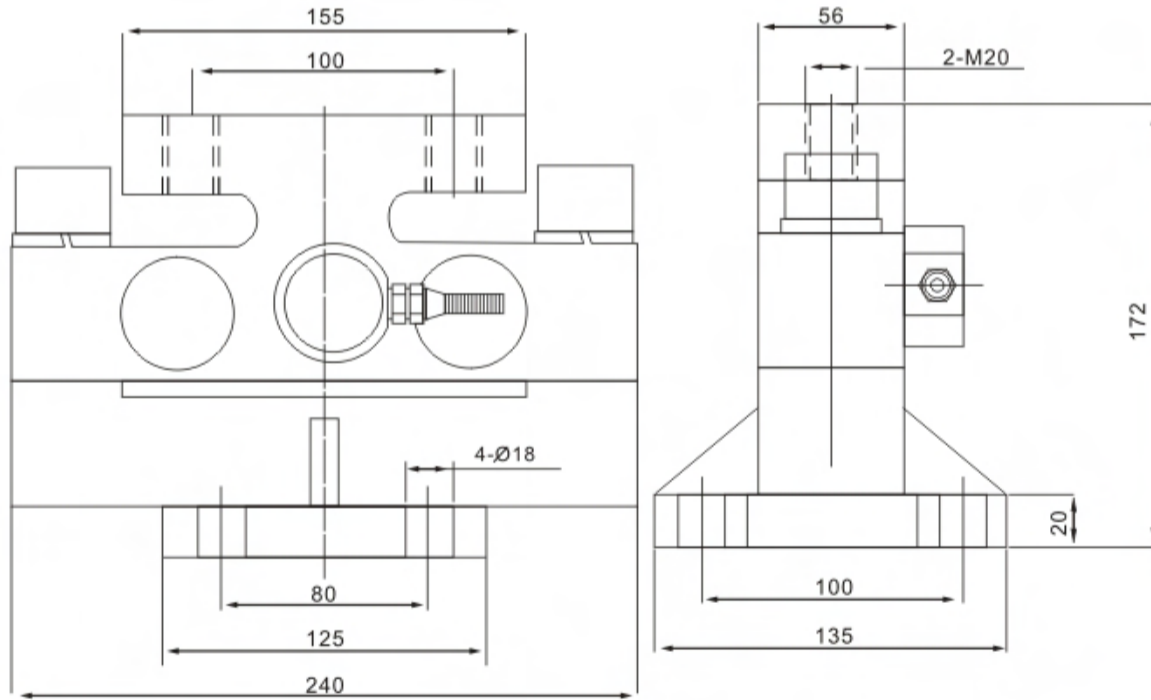


额定载荷(t) Rated Load	A	B	C	D	E	F
1-2	200	150	126	M10	32	83
3-5	220	140	110	M16	45	114



10~40t



钢包秤、罐装秤及各种起重机械
Steel embody scale, silo scale, every kinds of crane mechanism

TECHNICAL PARAMETER

4Wires: Exc+(红, Red); Exc-(黑, Black); Sig+(绿, Green); Sig-(白, White)

额定载荷 Rated capacities(E _{max})	1,2,3,5,10,15,20,25,30,40t	温度补偿范围 Temperature range, compensated	-10°C~+40°C
灵敏度 Sensitivity	2.0±0.01mV/V	工作温度范围 Temperature range, operating	-30~+70°C
综合误差 Total error	±0.2%F.S	安全过载 Maximum safe overload	150%F.S
蠕变(30分钟) Creep error (30min)	±0.03%F.S	极限过载 Ultimate overload	300%F.S
零点平衡 Zero balance	±1%F.S	推荐激励电压 Excitation, recommend	10~12V DC
零点温度影响 TCO	±0.02%F.S/10°C	最大激励电压 Excitation, maximum	15V DC
输出温度影响 TC SPAN	±0.02%F.S/10°C	防封等级 Protection class	IP68
输入阻抗 Input impedance	750±10Ω	材质 Construction	合金钢 Alloy Steel
输出阻抗 Output impedance	702±3Ω	电缆 Cable	Length: 8m(1~15t), 10m(20t), 12m(25t) 14m(30,40t)
绝缘电阻 Insulation impedance	≥5000MΩ		Diameter: φ 5mm(1~5t), φ 6mm(10~40t)