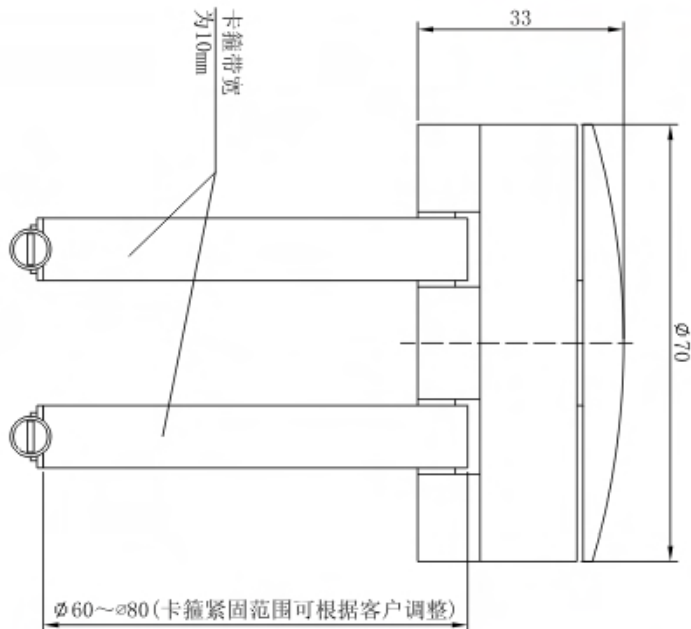




安全限制系列 (刹车系统的性能检测)
Safe limiter series (function testing of brake system)



TECHNICAL PARAMETER

4Wires:Exc+(红,Red);Exc-(黑,Black);Sig+(绿,Green);Sig-(白,White)

额定载荷 Rated capacities(Emax)	50,100kg	温度补偿范围 Temperature range, compensated	-10~+40°C
灵敏度 Sensitivity	0.8±0.05mV/V	工作温度范围 Temperature range, operating	-30~+70°C
综合误差 Total error	±0.5%F.S	安全过载 Maximum safe overload	150%F.S
蠕变(30分钟)Creep error (30min)	±0.2%F.S	极限过载 Ultimate overload	200%F.S
零点平衡 Zero balance	±3%F.S	推荐激励电压 Excitation,recommend	10~12V DC
零点温度影响 TCO	±0.2%F.S/10°C	最大激励电压 Excitation,maximum	15V DC
输出温度影响 TC SPAN	±0.2%F.S/10°C	防护等级 Protection class	IP67
输入阻抗 Input impedance	380±20Ω	材质 Construction	合金钢Alloy Steel
输出阻抗 Output impedance	352±3Ω	电缆 Cable	
绝缘电阻 Insulation impedance	≥5000MΩ	Length: 2m	Diameter: φ5 mm