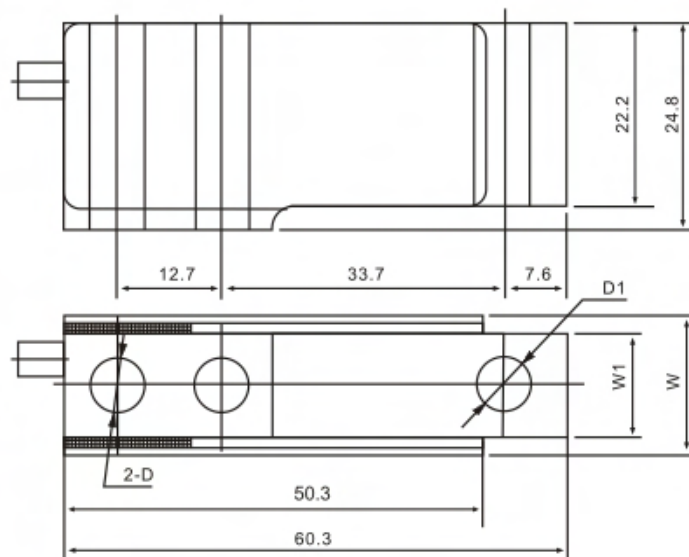


额定载荷(lb) Rated Load	W	W1	D	D1
100,150	19.1	12.7	φ4.4	φ4.4
200,250	25.4	19.1	φ6.5	φ4.4



皮带秤
Belt scale

TECHNICAL PARAMETER | 4Wires:Exc+(红,Red);Exc-(蓝,Blue);Sig+(绿,Green);Sig-(白,White)

额定载荷 Rated capacities(Emax)	100,150,200,250lb	温度补偿范围 Temperature range, compensated	-10℃~+40℃
灵敏度 Sensitivity	3.0±0.005mV/V	工作温度范围 Temperature range, operating	-30~+70℃
综合误差 Total error	±0.05%F.S	安全过载 Maximum safe overload	120%F.S
蠕变(30分钟)Creep error (30min)	±0.03%F.S; ±0.05%F.S	极限过载 Ultimate overload	150%F.S
零点平衡 Zero balance	±1%F.S	推荐激励电压 Excitation,recommend	10~12V DC
零点温度影响 TCO	±0.02%F.S/10℃	最大激励电压 Excitation,maximum	15V DC
输出温度影响 TC SPAN	±0.02%F.S/10℃	防封等级 Protection class	IP66
输入阻抗 Input impedance	400±50Ω	材质 Construction	合金钢Alloy Steel
输出阻抗 Output impedance	352±3Ω	电缆 Cable	Length:1.5m
绝缘电阻 Insulation impedance	≥5000MΩ		Diameter: φ 4mm