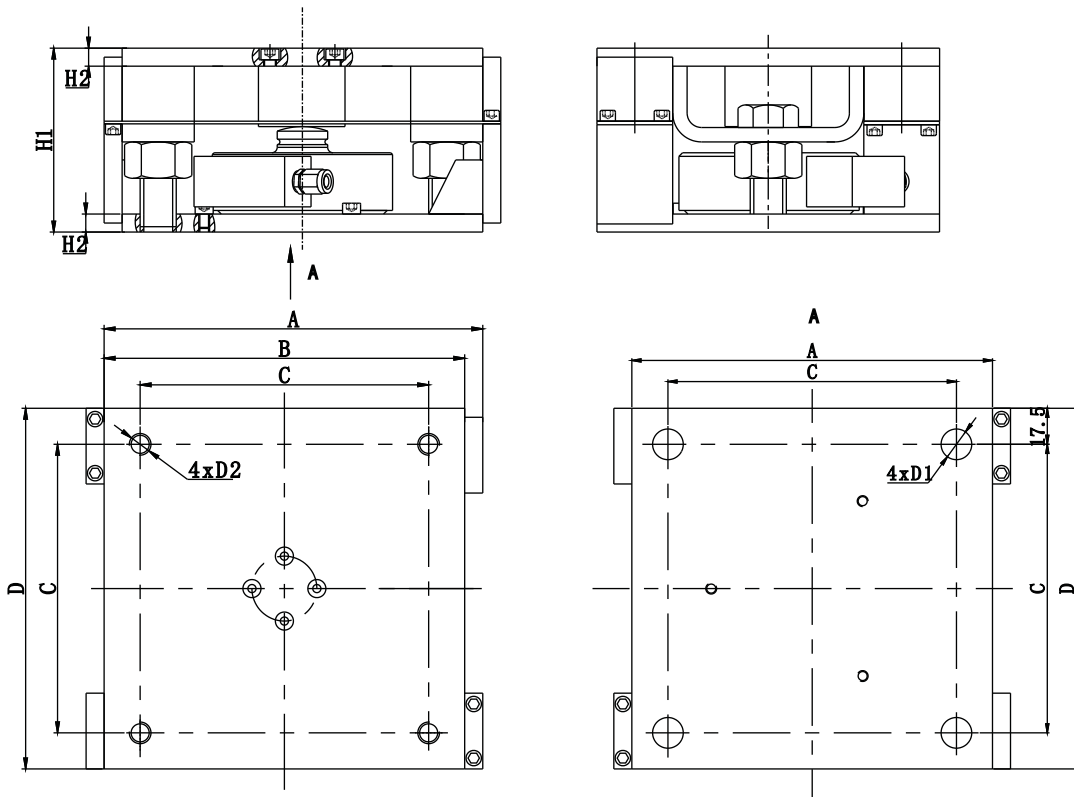


仓储秤  
warehouse scale

量程	C1	C2	C3	H1	H2	T
2.5t~10t	22	82	65	32	44	M6深8
15t~20t	28	100	80	35	48.5	M8深10

**TECHNICAL PARAMETER** | 4Wires:Exc+(红,Red);Exc-(黑,Black);Sig+(绿,Green);Sig-(白,White)

额定载荷Rated load	2.5、5、7.5、10、15、20t	绝缘电阻Insulation resistance	≥5000 MΩ
精度等级 Accuracy class	0.05	额定温度 Nominal Temp Range	-10~+40℃
灵敏度Sensitivity	2.0 ± 0.01mV/V	工作温度范围Service Temp Range	-30~+70℃
线性误差 Non-linearity	± 0.05%F.S	安全负载Safe load limit	150%F.S
滞后误差 Hysteresis error	± 0.05%F.S	破坏负载Breaking load	200%F.S
蠕变 (30分钟) Creep(30min)	± 0.03%F.S	额定激励电压Nominal of range excitation	10~12 V DC
零点温度影响TC ZERO	± 0.02%F.S/10℃	密封等级Protection Class	IP68
灵敏度温度影响TC SPAN	± 0.02%F.S/10℃	材料Material	不锈钢Stainless steel
输入阻抗Input resistance	750 ± 10Ω	电缆Cable	Length:5m
输出阻抗Output resistance	702 ± 5Ω		



量程(t)	A	B	C	D	H1	H2	D1	D2
2.5t~10t	185	175	115	150	95	10	Ø14	M12
15t~20t	210	200	160	200	102	10	Ø17	M12