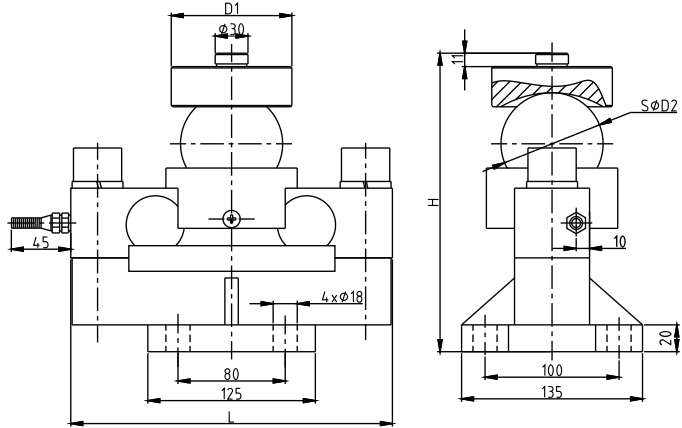




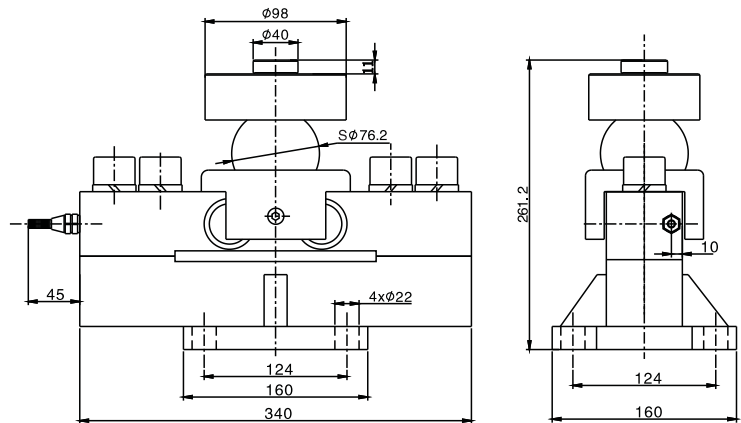
5~40t



额定载荷(t) Rated Load	5	10、15、20、 25、30	40
D1	68	85~88	88
D2	50.8	76.2	76.2
H	168.8	224.7	230.7
L	224	240	240



50t



汽车衡、轨道衡、配料秤及各种专用衡器  
Truck scale, railway scale, blending scale and special scale

## TECHNICAL PARAMETER

4Wires:Exc+(红,Red);Exc-(黑,Black);Sig+(绿,Green);Sig-(白,White)

额定载荷 Rated load	5t、10t、15t、20t、25t、30t、40t、50t	额定温度 Nominal Temp Range	-10~+40℃
精度等级 Accuracy class	C2~C3	工作温度范围 Service Temp Range	-30~+70℃
灵敏度 Sensitivity	2.0 ± 0.002mV/V	安全负载 Safe load limit	150%F.S
线性误差 Non-linearity	± 0.03%F.S	破坏负载 Breaking load	250%F.S
滞后误差 Hysteresis error	± 0.03%F.S	额定激励电压 Nominal of range excitation	10~12 V DC
蠕变 (30分钟) Creep(30min)	± 0.02%F.S	密封等级 Protection Class	IP67
零点温度影响 TC ZERO	± 0.02%F.S/10℃	材料 Material	合金钢 Alloy Steel
灵敏度温度影响 TC SPAN	± 0.02%F.S/10℃		不锈钢 Stainless Steel
输入阻抗 Input resistance	750 ± 10Ω	电缆 Cable	
输出阻抗 Output resistance	702 ± 3Ω	Length:	
绝缘电阻 Insulation resistance	≥ 5000 MΩ	5t	10t
		15t	20t
		25t	30t
		40t	50t
		5.2m	4/8m
		4/10m	4/10/12m
		4/10/12m	12/16m
		12/16m	12/16m
		4/12/16m	4/12/16m