

CE RoHS

Mounting hardware to be ordered separately.

DIMENSIONS

RATED CAPACITY	C1	C2	C3	C4	C5	N	H	W	T
t/mm									
1-5	113.0	97.0	81.0	37.0	7	8	35.0	32.0	M24X2
10; 20	155.0	130.0	106.0	56.0	11	12	45.0	32.0	M36X2
30	180.0	150.0	125.0	75.0	13	12	58.0	32.0	M42X2
50	205.0	165.0	125.0	75.0	13	16	64.0	32.0	M42X2
100	280.0	228.0	182.0	118.0	17	16	90.0	48.0	M70X3
150; 200	296.0	256.0	223.0	133.0	22	16	120.0	48.0	M90X3
300	346.0	282.0	242.0	174.0	26	16	180.0	48.0	M120X3
lb/inches (conversion of above dimensions)									
2,204.6-11,023.1	4.45	3.82	3.19	1.46	0.28	8	1.38	1.26	M24X2
22,046.2; 44,092.5	6.10	5.12	4.17	2.20	0.43	12	1.77	1.26	M36X2
66,138.7	7.09	5.91	4.92	2.95	0.51	12	2.28	1.26	M42X2
110,231.1	8.07	6.50	4.92	2.95	0.51	16	2.52	1.26	M42X2
220,462.3	11.02	8.98	7.17	4.65	0.67	16	3.54	1.89	M70X3
330,693.4; 440,924.5	11.65	10.08	8.78	5.24	0.87	16	4.72	1.89	M90X3
661,386.8	13.62	11.10	9.53	6.85	1.02	16	7.09	1.89	M120X3

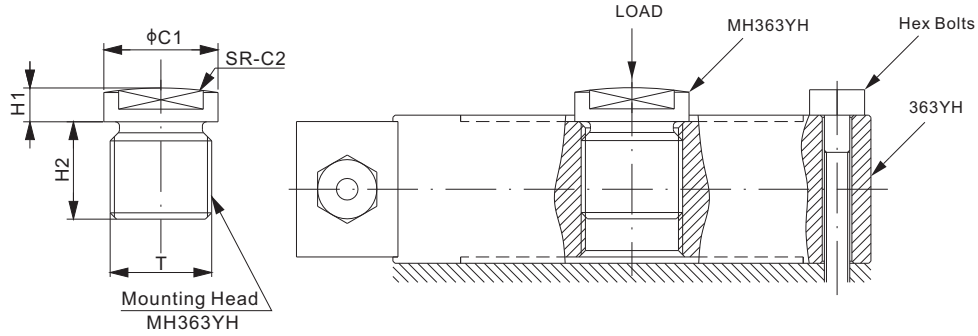
SPECIFICATIONS

Full Scale Output	2.0 ± 1% mV/V	Recommended Excitation	10V (15V Maximum)
Zero Balance	< ± 0.02 mV/V	Insulation Resistance	> 2 [50V DC] GΩ
Non-linearity	Cap. ≤ 5t: < ± 0.050%; Cap. ≥ 10t: < ± 0.30%	Compensated Temperature Range	-10°C to 50°C / 14°F to 122°F
Repeatability	Cap. ≤ 5t: < ± 0.030%; Cap. ≥ 10t: < ± 0.20%	Safe Overload	150% of full scale
Hysteresis Error	Cap. ≤ 5t: < ± 0.050%; Cap. ≥ 10t: < ± 0.30%	Breaking Overload	300% of full scale
Creep in 30 min.	Cap. ≤ 5t: < ± 0.050%; Cap. ≥ 10t: < ± 0.10%	Seal Type / IP Rating	Welded Seal / IP67
Input Resistance	770Ω ± 30	Cable Color Code	Exc+ Red Exc- Black
Output Resistance	700Ω ± 5		Sig+ Green Sig- White
Element Material	Alloy Steel, Nickel Plated		Shield Bare

PART NUMBER

Rated Capacity	Part No.	Shipping Weight (kg) Approx.
1t.....	363YH-1t.....	2.8
2t.....	363YH-2t.....	2.8
3t.....	363YH-3t.....	2.8
5t.....	363YH-5t.....	2.8
10t.....	363YH-10t.....	5.5
20t.....	363YH-20t.....	5.5
30t.....	363YH-30t.....	12.4
50t.....	363YH-50t.....	16.8
100t.....	363YH-100t.....	40.6
150t.....	363YH-150t.....	51.0
200t.....	363YH-200t.....	51.0
300t.....	363YH-300t.....	97.2

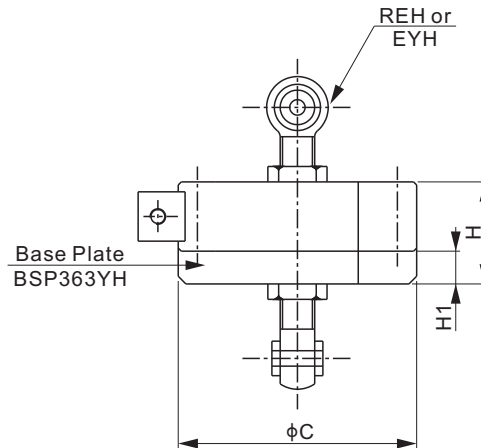
Mounting Variation 1, Alloy Steel with Nickel Plating MH363YH



DIMENSIONS

PART NUMBER	LOAD CELL CAPACITY	C1	C2	H1	H2	T
t/mm						
MH363YH-(1-5)t	1-5	27.0	85.0	8.0	25.0	M24X2
MH363YH-(10-20)t	10; 20	45.0	150.0	22.0	38.0	M36X2
MH363YH-30t	30	54.0	180.0	32.0	48.0	M42X2
MH363YH-50t	50	64.0	200.0	42.0	54.0	M42X2
MH363YH-100t	100	102.0	300.0	48.0	79.0	M70X3
MH363YH-(150-200)t	150; 200	136.0	300.0	60.0	79.0	M90X3
MH363YH-300t	300	160.0	500.0	80.0	90.0	M120X3
lb/inches (conversion of above dimensions)						
MH363YH-(1-5)t	2,204.6-11,023.1	1.06	3.35	0.31	0.98	M24X2
MH363YH-(10-20)t	22,046.2; 44,092.5	1.77	5.91	0.87	1.50	M36X2
MH363YH-30t	66,138.7	2.13	7.09	1.26	1.89	M42X2
MH363YH-50t	110,231.1	2.52	7.87	1.65	2.13	M42X2
MH363YH-100t	220,462.3	4.02	11.81	1.89	3.11	M70X3
MH363YH-(150-200)t	330,693.4; 440,924.5	5.35	11.81	2.36	3.11	M90X3
MH363YH-300t	661,386.8	6.30	19.69	3.15	3.54	M120X3

Mounting Variation 2 REH or EYH+ BSP363YH



DIMENSIONS

PART NUMBER	LOAD CELL CAPACITY	C	H	H1	Matching REH or EYH
t/mm					
BSP363YH-(1-5)t	1-5	113.0	64.0	29.0	REH-M24
BSP363YH-(10-20)t	10; 20	155.0	90.0	45.0	EYH-M36
BSP363YH-30t	30	180.0	108.0	50.0	EYH-M42
BSP363YH-50t	50	205.0	114.0	50.0	EYH-M42
lb/inches (conversion of above dimensions)					
BSP363YH-(1-5)t	2,204.6-11,023.1	4.45	2.52	1.14	REH-M24
BSP363YH-(10-20)t	22,046.2; 44,092.5	6.10	3.54	1.77	EYH-M36
BSP363YH-30t	66,138.7	7.09	4.25	1.97	EYH-M42
BSP363YH-50t	110,231.1	8.07	4.49	1.97	EYH-M42