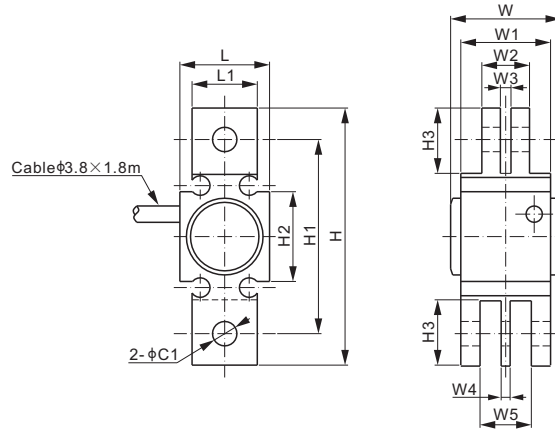
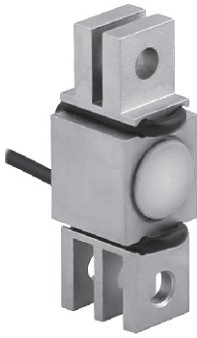


110ZHBL



Alloy Steel



CE RoHS

DIMENSIONS

RATED CAPACITY	C1	H	H1	H2	H3	L	L1	W	W1	W2	W3	W4	W5
110ZHBL534:													
kg/mm													
1,500	6.0	63.0	47.6	22.0	16.0	22.0	16.0	27.0	22.0	11.7	2.6	2.2	12.6
lb/inches (conversion of above dimensions)													
3,306.9	0.24	2.48	1.88	0.87	0.63	0.87	0.63	1.06	0.87	0.46	0.10	0.09	0.50
110ZHBL634:													
kg/mm													
1,134.0; 2,500	8.0	76.2	57.2	27.7	19.5	25.2	19.0	30.0	25.2	15.5	3.5	3.0	16.8
lb/inches (conversion of above dimensions)													
2,500; 5,511.6	0.32	3.00	2.25	1.09	0.77	0.99	0.75	1.18	0.99	0.61	0.14	0.12	0.66

SPECIFICATIONS

Full Scale Output	1.5 ± 0.25% mV/V	Recommended Excitation	10V (15V Maximum)
Zero Balance	± 0.02 mV/V	Insulation Resistance	> 2 [50V DC] GΩ
Non-linearity	< ± 0.4%	Compensated Temperature Range	-10°C to 50°C / 14°F to 122°F
Repeatability	< ± 0.05%	Safe Overload	150% of full scale
Hysteresis Error	< ± 0.1%	Breaking Overload	400% of full scale
Creep in 30 min.	< ± 0.05%	Seal Type / IP Rating	Environmentally Sealed / IP67
Input Resistance	1200 Ω ± 60	Cable Color Code	Exc+ Red Exc- Black
Output Resistance	1000 Ω ± 5		Sig+ Green Sig- White
Element Material	Alloy Steel, Nickel Plated		Shield Bare

PART NUMBER

Rated Capacity	Part No.	Shipping Weight (kg) Approx.
1.5t.....	110ZHBL534-1.5t.....	0.2
2.5t.....	110ZHBL634-2.5t.....	0.3
2.5Klb.....	110ZHBL634-2.5Klb.....	0.3

TENSION LINKS