

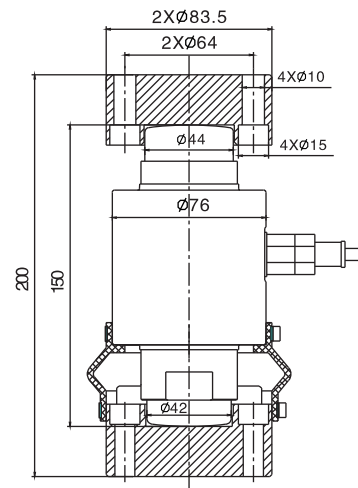
ZSFC Load cell

☆ 专利产品



汽车衡、轨道衡、轴重秤、地上衡
Truck scale, railway scale, axle-load scale, floor scale

ZSFC



TECHNICAL PARAMETER

4Wires:Exc+(红,Red);Exc-(黑,Black);Sig+(绿,Green);Sig-(白,White)

额定载荷Rated load	5,10,15,20,25,30,40,50	额定温度 Nominal Temp Range	-10~+40℃
精度等级 Accuracy class	C3,C4	工作温度范围Service Temp Range	-30~+70℃
灵敏度Sensitivity	2.0 ± 0.005mV/V	安全负载Safe load limit	150%F.S
线性误差 Non-linearity	± 0.02%F.S	破坏负载Breaking load	250%F.S
滞后误差 Hysteresis error	± 0.02%F.S	额定激励电压Nominal of range excitation	10~12 V DC
蠕变 (30分钟) Creep(30min)	± 0.02%F.S	密封等级Protection Class	IP68
零点温度影响TC ZERO	± 0.015%F.S/10℃	材料Material	合金钢 Alloy Steel
灵敏度温度影响TC SPAN	± 0.02%F.S/10℃		不锈钢Stainless steel
输入阻抗Input resistance	700 ± 20 Ω	电缆Cable	Length:8m(10t); 10m(15t);
输出阻抗Output resistance	706 ± 7 Ω		12m(20~25t);
绝缘电阻Insulation resistance	≥ 5000 MΩ		14m(30t); 16m(40~50t);