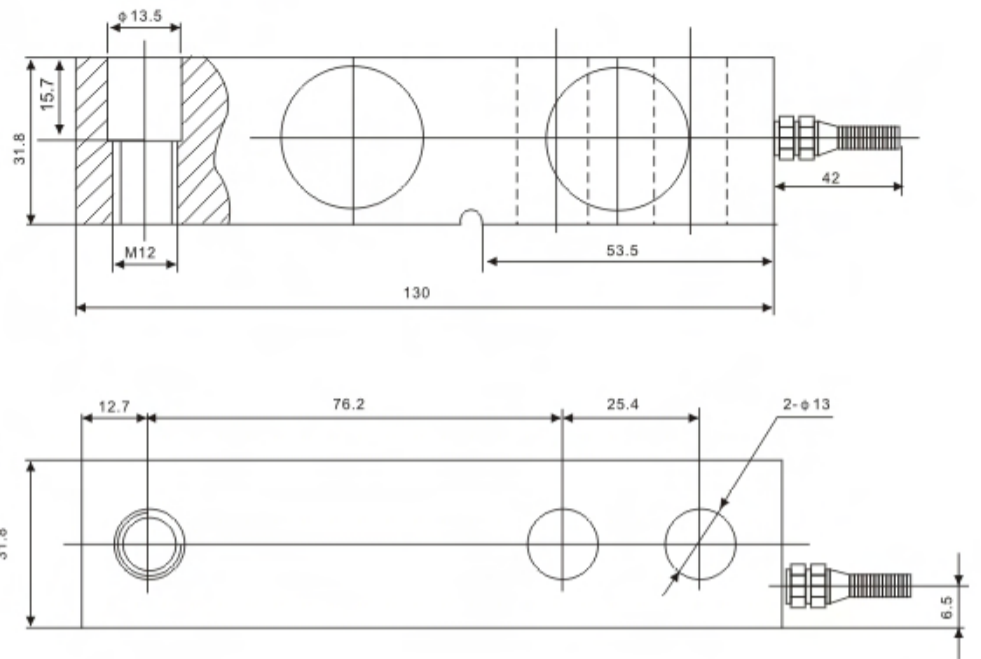
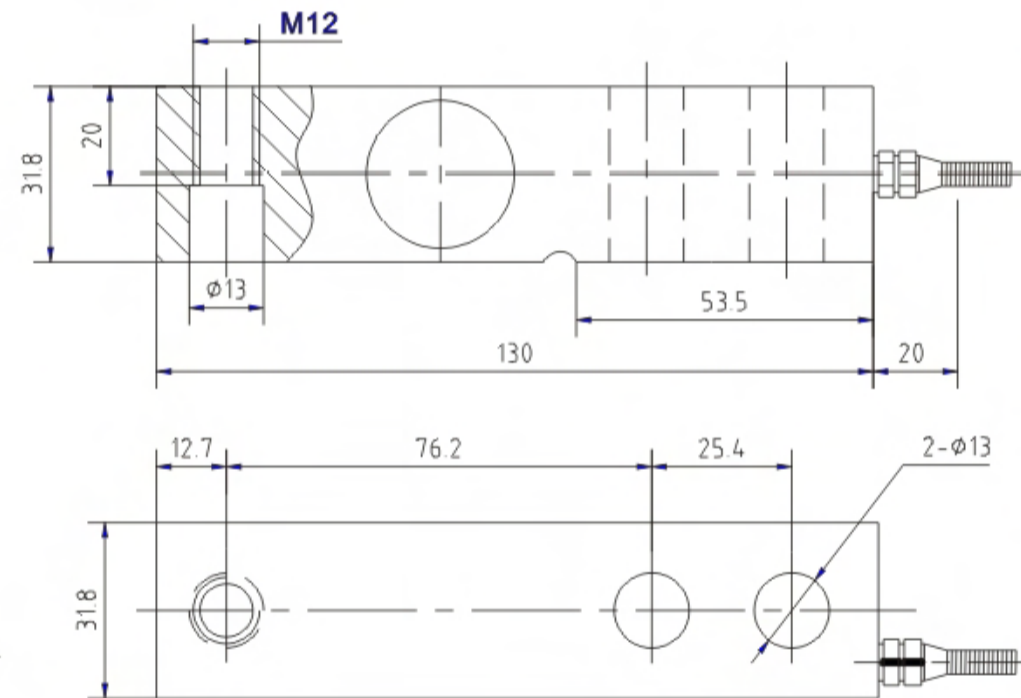


平台秤、配料控制系统
Platform scales, blending scale

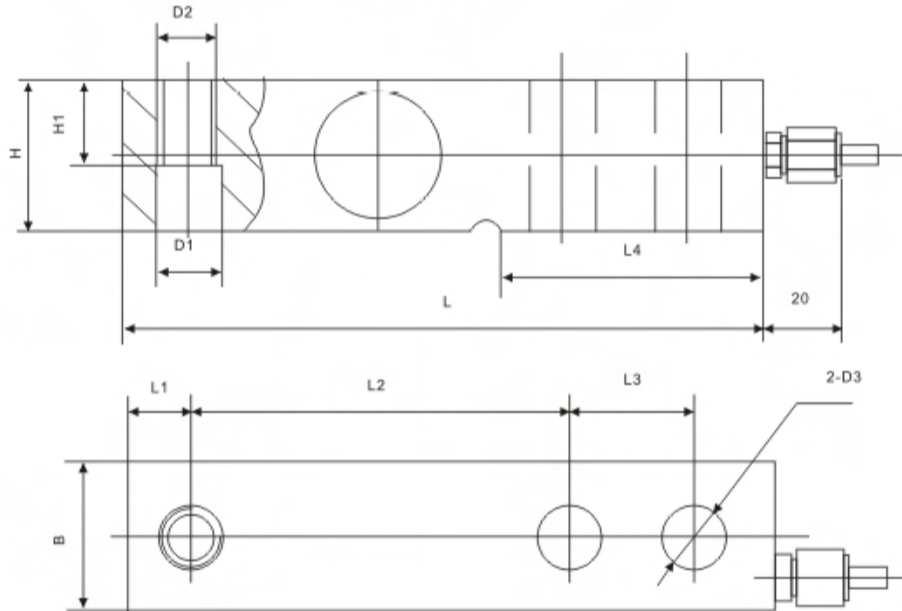
SQB/SQB-A 0.25~2.5t



SQB-SS/SQS-ASS 0.25~2.5 t



SQB/SQB-A/SQB-SS/SQB-ASS 3~10t



额定载荷(t) Rated Load	L	L1	L2	L3	L4	H/B	H1	D1	D2	D3
3,5	171.5	19	95.3	38.1	72.5	38.1	26	φ 20	M18x1.5	φ 20
7.5~10	225.5	25.3	124	50.8	102	50.8	25.4	φ 27	M24x2	φ 27

TECHNICAL PARAMETER | 4Wires:Exc+(红,Red);Exc-(黑,Black);Sig+(绿,Green);Sig-(白,White)

额定载荷 Rated capacities(E _{max})	0.1 ~ 10t	温度补偿范围 Temperature range, compensated	-10℃~+40℃
灵敏度 Sensitivity	3.0±0.003mV/V(0.5~10t);2.0±0.002mV/V(0.1~0.3t)	工作温度范围 Temperature range, operating	-30~+70℃
精度等级 Accuracy class	C2~C3	安全过载 Maximum safe overload	150%F.S
零点平衡 Zero balance	±1%F.S	极限过载 Ultimate overload	180%F.S
零点温度影响 TCO	±0.02%F.S/10℃	推荐激励电压 Excitation,recommend	10~12V DC
输出温度影响 TC SPAN	±0.02%F.S/10℃	最大激励电压 Excitation,maximum	15V DC
输入阻抗 Input impedance	400±20Ω	防封等级 Protection class	IP66(0.25~0.75t);IP67(1~10t)
输出阻抗 Output impedance	352±3Ω	材质 Construction	合金钢Alloy Steel 不锈钢Stainless Steel
绝缘电阻 Insulation impedance	≥5000MΩ	电缆 Cable	Length:3m(0.25~2.5t),4.2m(3~5t),5m(7.5~10t)
Diameter: φ 5mm(合金钢0.25~5t;不锈钢0.25~0.3t); φ 6mm(合金钢7.5~10t,不锈钢0.5~10t)			