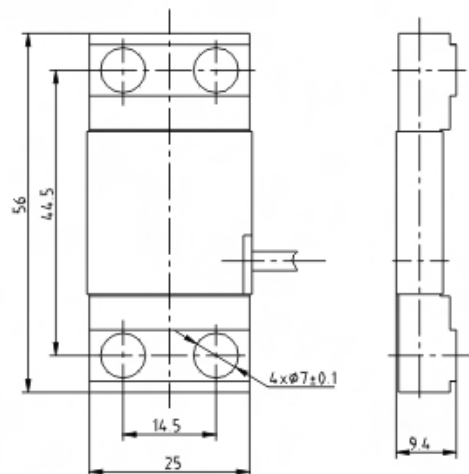




专用测力
Force testing



TECHNICAL PARAMETER

4Wires:Exc+(绿, Green);Exc-(黑, Black);Sig+(白, White);Sig-(红, Red)

额定载荷 Rated capacities(E _{max})	200,400kg	温度补偿范围 Temperature range, compensated	-10°C~+40°C
灵敏度 Sensitivity	1±0.1mV/V	工作温度范围 Temperature range, operating	-30~70°C
综合误差 Total error	±1%F.S	安全过载 Maximum safe overload	120%F.S
蠕变(30分钟)Creep error (30min)	±0.05%F.S	极限过载 Ultimate overload	150%F.S
零点平衡 Zero balance	±2%F.S	推荐激励电压 Excitation,recommend	10~12DC
零点温度影响 TCO	±0.05%F.S/10°C	最大激励电压 Excitation,maximum	15V DC
输出温度影响 TC SPAN	±0.05%F.S/10°C	防封等级 Protection class	IP67
输入阻抗 Input impedance	350 ± 10Ω	材质 Construction	不锈钢Stainless Stell
输出阻抗 Output impedance	352±3Ω	电缆 Cable	Length: 12m Diameter: φ 4mm
绝缘电阻 Insulation impedance	≥5000MΩ		