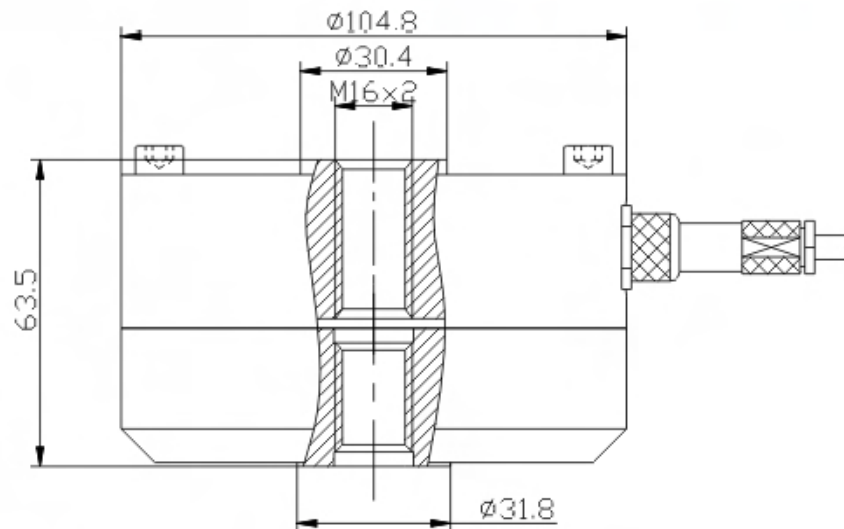




试验机行业、生产过程测控  
Test machine, production process control



## TECHNICAL PARAMETER

4Wires:Exc+(红,Red);Exc-(黑,Black);Sig+(绿,Green);Sig-(白,White)

额定载荷 Rated load	250,500 kg	工作温度范围 Operating Temp Range	-30 ~ +70°C
灵敏度 Sensitivity	2.0 ± 0.005mV/V	安全过载 Safe load limit	120%F.S
综合误差 Total error	± 0.03%F.S	极限过载 Lateral load limit	150%F.S
蠕变 (30分钟) Creep(30min)	± 0.03%F.S	推荐激励电压 Recommend excitation	10 ~ 12V DC
零点平衡 Zero balance	± 1%F.S	最大激励电压 Maximum excitation	15V DC
零点温度影响 TCO	± 0.02%F.S/10°C	密封等级 Protection Class	IP66
输出温度影响 TC SPAN	± 0.02%F.S/10°C	材质 Construction	铝合金 Aluminium
输入阻抗 Input resistance	4 00 ± 20 Ω	电缆 Cable	Length: 12m Diameter: φ5mm
输出阻抗 Output resistance	352 ± 3 Ω		
绝缘电阻 Insulation resistance	≥ 5 000MΩ		