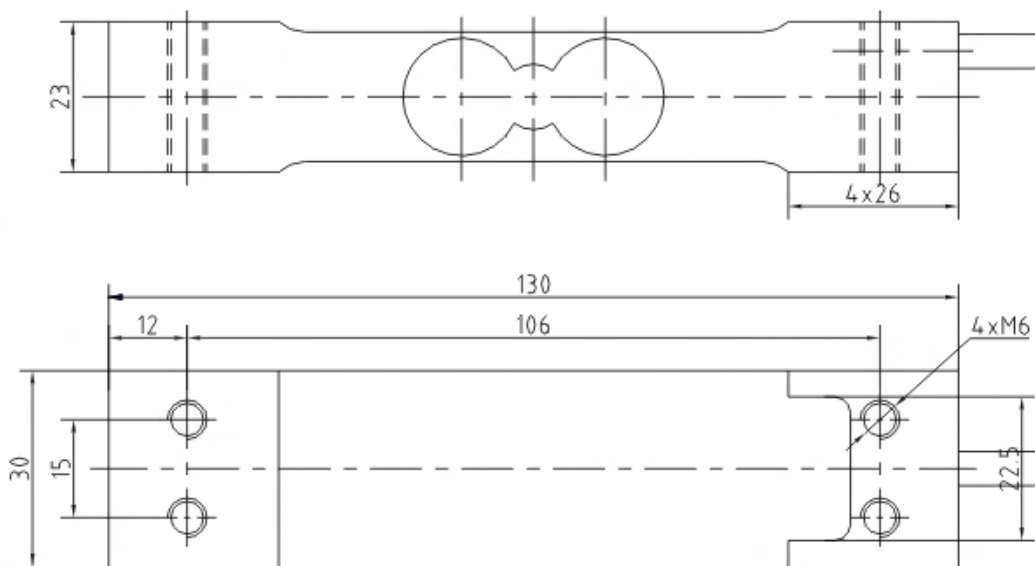


各种台秤
All kinds of platform scale



TECHNICAL PARAMETER

4Wires:Exc+(红,Red);Exc-(黑,Black);Sig+(绿,Green);Sig-(白,White)

额定载荷 Rated load	5,8,10,15,20,25,30,35,40kg	绝缘电阻 Insulation resistance	≥2000MΩ (50V DC)
灵敏度 Sensitivity	20±0.2mV/V	工作温度范围 Operating Temp Range	-20~+50℃
精度等级 Accuracy class	OIML C3	安全过载 Safe load limit	150%F.S
蠕变 (30分钟) Creep(30min)	±166ppm	极限过载 Lateral load limit	300%F.S
零点平衡 Zero balance	±3%Emax	推荐激励电压 Recommend excitation	10V DC
零点温度影响 TCO	±17.5ppm/℃	最大激励电压 Maximum excitation	15V DC
输出温度影响 TC SPAN	+20℃~+40℃, ±17.5ppm/℃	密封等级 Protection Class	IP65
	-10℃~+20℃, ±11.67ppm/℃	材质 Construction	合金钢 Alloy Steel 不锈钢 Stainless Steel
输入阻抗 Input resistance	404 ± 15Ω	电缆 Cable	Length:1m
输出阻抗 Output resistance	350 ± 3Ω		Diameter: φ 5mm
推荐安装平台 Max.platform size	300 × 300mm	推荐安装力矩 Installation torque, commended	10N · m