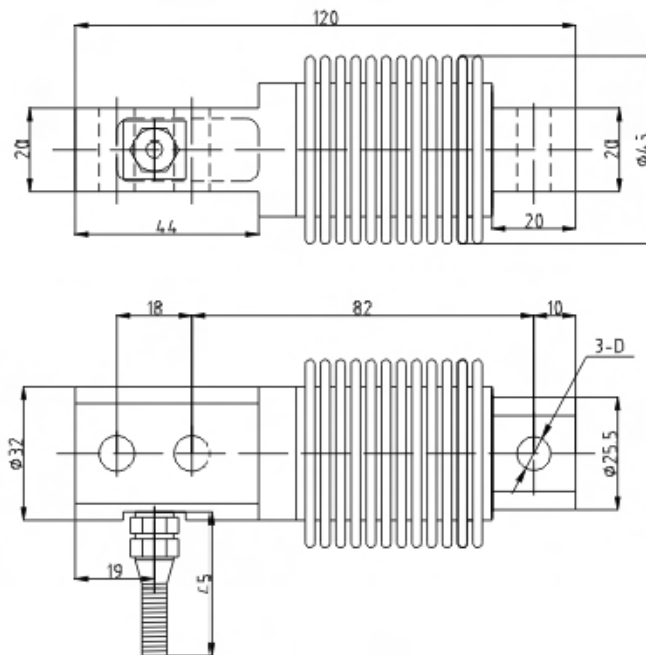


额定载荷(kg) Rated Load	5-250	300,500
D(mm)	φ 8.2	φ 10.2



料斗秤、皮带秤、配料系统
Hopper scale, belt scale, blending system

TECHNICAL PARAMETER

额定载荷 Rated capacities(Emax)	5,10,20,30,40,50,75,100,150,200,250,300,500kg	温度补偿范围 Temperature range, compensated	-10℃~+40℃
灵敏度 Sensitivity	2.0±0.002mV/V	工作温度范围 Temperature range, operating	-30~+70℃
综合误差 Total error	±0.02%F.S, ±0.03%F.S	安全过载 Maximum safe overload	120%F.S
蠕变(30分钟) Creep error (30min)	±0.02%F.S, ±0.03%F.S	极限过载 Ultimate overload	150%F.S
零点平衡 Zero balance	±1%F.S	推荐激励电压 Excitation, recommend	10~12V DC
零点温度影响 TCO	±0.02%F.S/10℃	最大激励电压 Excitation, maximum	15V DC
输出温度影响 TC SPAN	±0.02%F.S/10℃	防封等级 Protection class	IP68
输入阻抗 Input impedance	400±20Ω	材质 Construction	合金钢 Alloy Steel, 不锈钢 Stainless Steel
输出阻抗 Output impedance	352±3Ω	电缆 Cable	Length:3m
绝缘电阻 Insulation impedance	≥5000MΩ		Diameter: φ5mm

4Wires:Exc+(红,Red);Exc-(黑,Black);Sig+(绿,Green);Sig-(白,White)